

WUO(4)-F

KAWAMOTO SUBMERSIBLE PUMP

2 POLES / 50 Hz

SIZE 40 ~ 80 MM



VORTEX IMPELLER



APPLICATIONS AND FEATURES

■ APPLICATIONS

- For drainage of sewage and wastewater, and for drainage of septic tank pump.

■ FEATURES

- Light weight and easy-to-handle submersible sewage pump.
- Stainless steel made frame motor and plastic parts increase operating life.
- Use glass fiber reinforced plastic for the impeller and casing, and equipped with a motor with built-in auto-cut having a large starting torque for stable operation.
- Vortex type and excellent performance to pass foreign objects.
- Can be combined with a plastic pedestal support. (special accessory)
- Starting/stopping water levels are adjustable in L and LN types.

STANDARD SPECIFICATIONS

Description		Model : WUO(4)-F
Applicable Liquid		Waste water, filthy water and other miscellaneous dirty water
Liquid Temperature		0~40 °C
pH		5~9
Main Pump	Casing	Glass fiber reinforced resin
	Impeller	Glass fiber reinforced resin
	Shaft	Stainless Steel (SUS403)
Motor	Speed	3000 rpm
	Protection	IP68, Class F
Construction	Impeller	Vortex type
	Shaft Seal	Double mechanical seal Pump : Sic x Sic Motor : Ceramics x Carbon
	Motor Bearing	Sealed ball bearing
Maximum Submergence		0.15~0.75 kW : 5 m. 1.5~3.7 kW : 8 m.

OPTIONAL SPECIFICATIONS

Description		Model : WUO(4)-F
Applicable Liquid		Waste water, filthy water and other miscellaneous dirty water
Liquid Temperature		0~60 °C
pH		5~9
Main Pump	Casing	Glass fiber reinforced resin
	Impeller	Glass fiber reinforced resin
	Shaft	Stainless Steel (SUS403)
Motor	Speed	3000 rpm
	Protection	IP68, Class F
Construction	Impeller	Vortex type
	Shaft Seal Oil	Double mechanical seal Pump : Sic x Sic Motor : Ceramics x Carbon White oil
	Motor Bearing	Sealed ball bearing
Cable length(m)		10m, 20m, 30m, 40m

SOLID PASSAGE

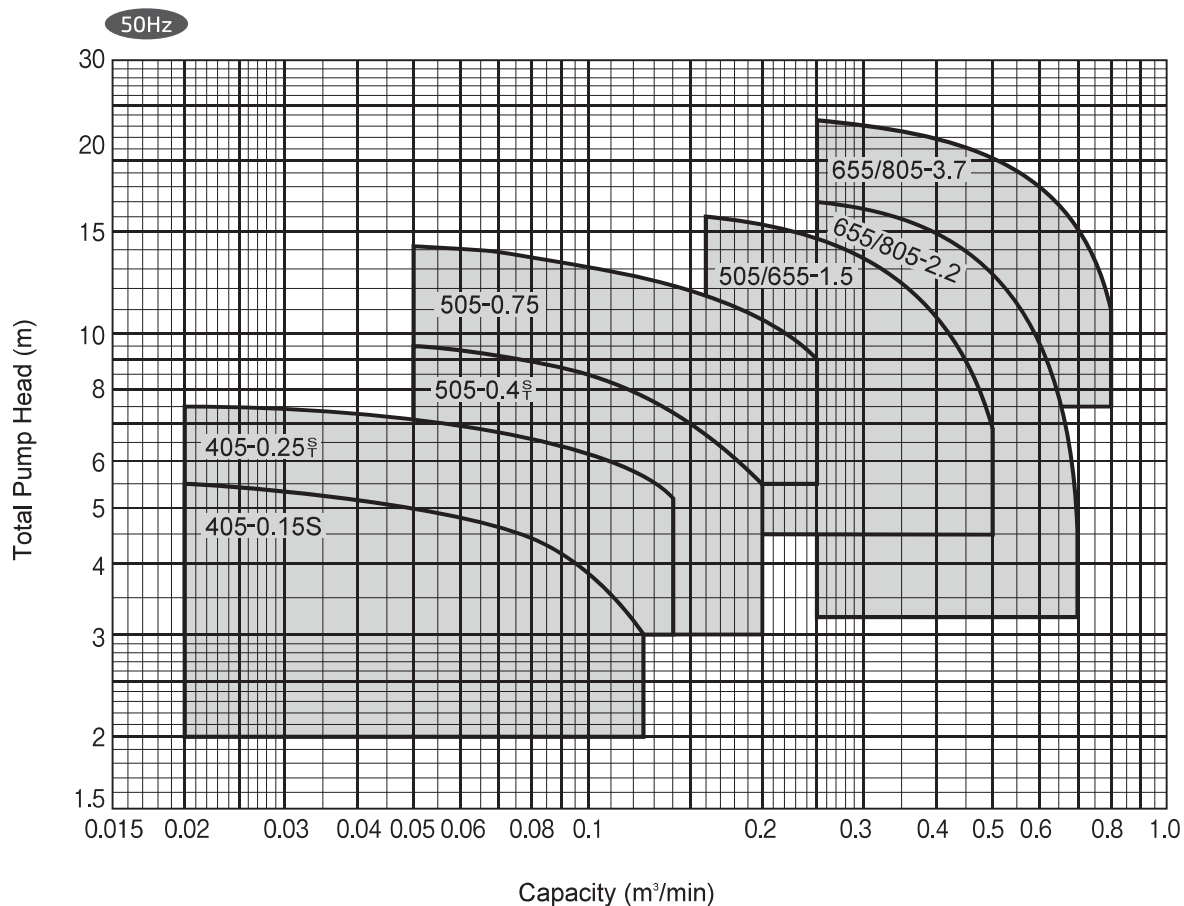
Pump Bore (mm)	Solid diameter (mm)	Clothes
40	35	-
50	35	-
65	40	-
80	40	-

CABLE

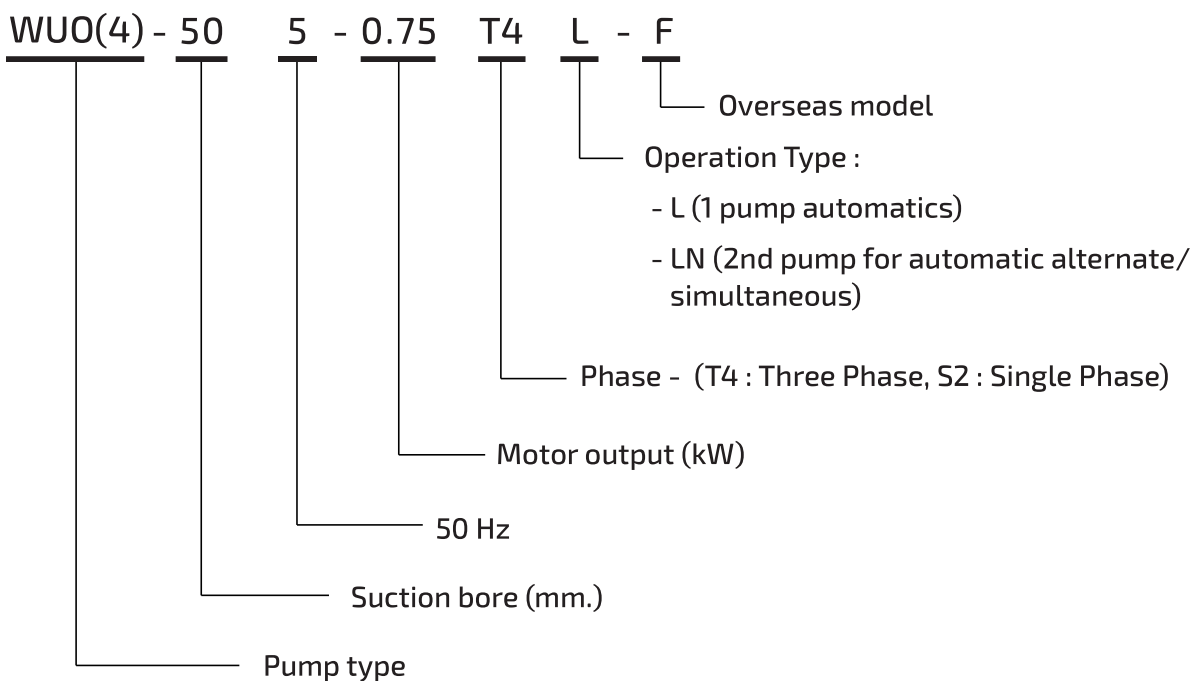
Output (kW)	Phase	Size (mm ²)	Core	Outer diameter (mm)	Length (m)
0.15	1	0.75	3	9.2	6
0.25	1	0.75	3	9.2	6
0.25	3	0.75	4	9.9	6
0.4	1	0.75	3	9.2	6
0.4	3	0.75	4	9.9	6
0.75	3	1.25	4	11	6
1.5	3	1.25	4	11	10
2.2	3	1.25	4	11	10
3.7	3	2	4	11.7	10

Cable Material : 600V insulating (VCT) **2**

PERFORMANCE CHART



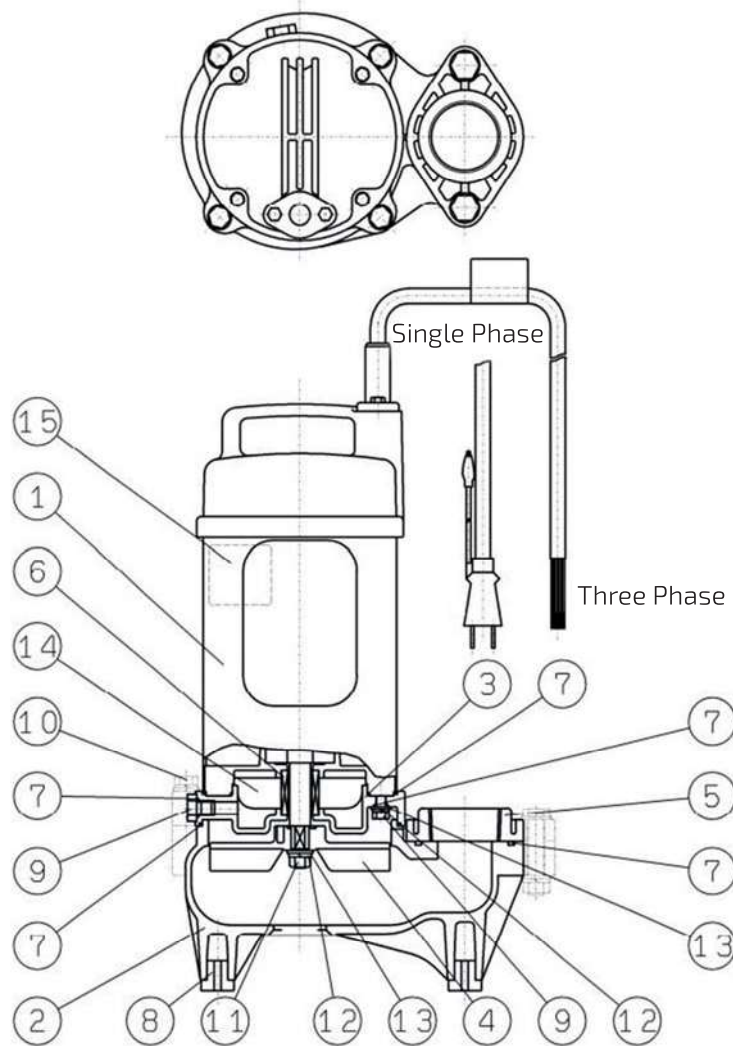
MODEL CODE



SPECIFICATION TABLE - WUO-F

No.	Bore (mm)	Model	Motor (kW)	Performance			
				Capacity (m ³ /min)	Total Head (m)	Capacity (m ³ /min)	Total Head (m)
1	40	WUO4-405-0.15S2-F	0.15	0.02	5.5	0.125	3
2		WUO4-405-0.25S2-F	0.25	0.02	7.5	0.14	5.2
3		WUO4-405-0.25T4-F	0.25	0.02	7.5	0.14	5.2
4	50	WUO4-505-0.4S2-F	0.4	0.05	9.5	0.2	5.5
5		WUO4-505-0.4T4-F	0.4	0.05	9.5	0.2	5.5
6		WUO4-505-0.75S2-F	0.75	0.05	14.2	0.25	9
7		WUO4-505-0.75T4-F	0.75	0.05	14.2	0.25	9
8		WUO-505-1.5T4-F	1.5	0.16	16	0.32	13.2
9	65	WUO-655-1.5T4-F	1.5	0.25	14.5	0.5	6.8
10		WUO-655-2.2T4-F	2.2	0.25	17	0.5	12.8
11		WUO-655-3.7T4-F	3.7	0.25	23.5	0.5	20.2
12	80	WUO-805-2.2T4-F	2.2	0.36	15.5	0.7	4.8
13		WUO-805-3.7T4-F	3.7	0.4	21.5	0.8	11.2
14	40	WUO4-405-0.15S2L(LN)-F	0.15	0.02	5.5	0.125	3
15		WUO4-405-0.25S2L(LN)-F	0.25	0.02	7.5	0.14	5.2
16		WUO4-405-0.25T4L(LN)-F	0.25	0.02	7.5	0.14	5.2
17	50	WUO4-505-0.4S2L(LN)-F	0.4	0.05	9.5	0.2	5.5
18		WUO4-505-0.4T4L(LN)-F	0.4	0.05	9.5	0.2	5.5
19		WUO4-505-0.75S2L(LN)-F	0.75	0.05	14.2	0.25	9
20		WUO4-505-0.75T4L(LN)-F	0.75	0.05	14.2	0.25	9
21		WUO-505-1.5T4L(LN)-F	1.5	0.16	16	0.32	13.2
22	65	WUO-655-1.5T4L(LN)-F	1.5	0.25	14.5	0.5	6.8
23		WUO-655-2.2T4L(LN)-F	2.2	0.25	17	0.5	12.8
24		WUO-655-3.7T4L(LN)-F	3.7	0.25	23.5	0.5	20.2
25	80	WUO-805-2.2T4L(LN)-F	2.2	0.36	15.5	0.7	4.8
26		WUO-805-3.7T4L(LN)-F	3.7	0.4	21.5	0.8	11.2

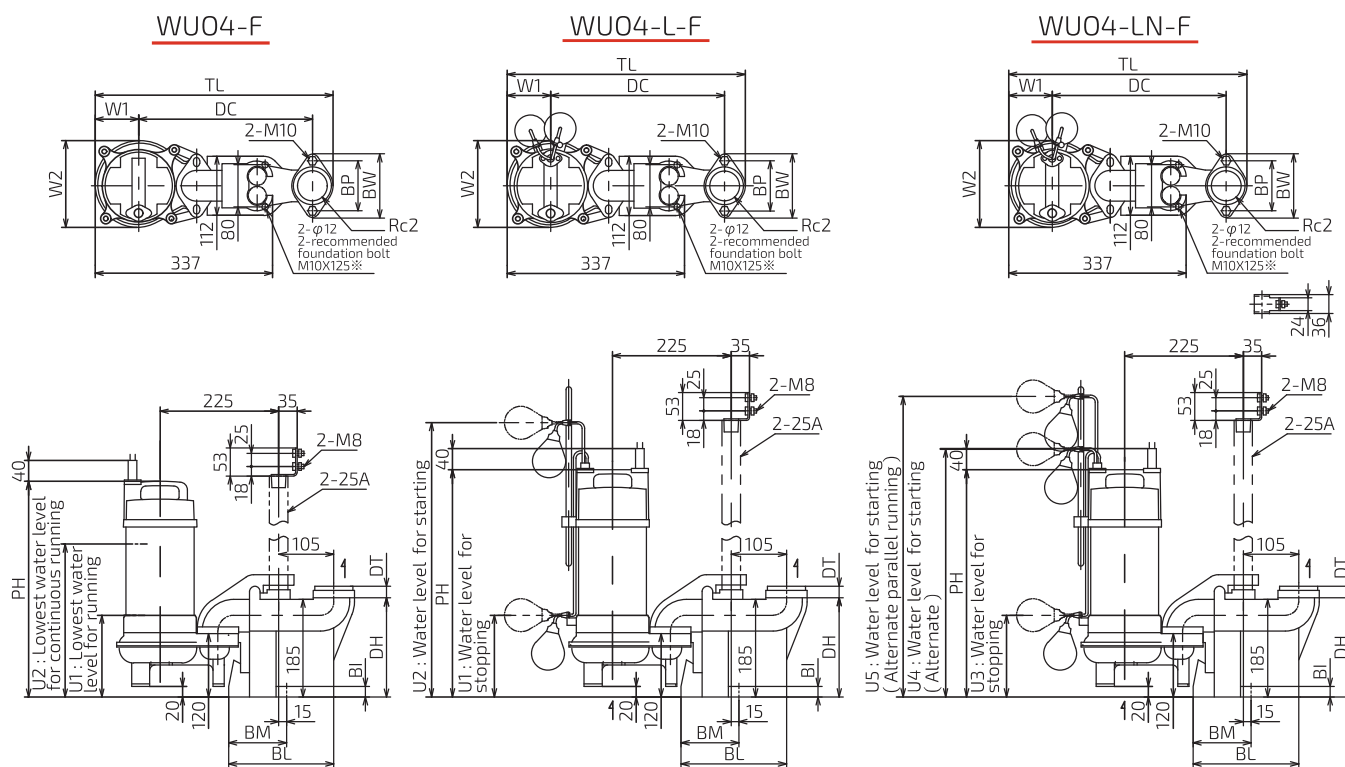
SECTION VIEW - LESS THAN 0.75kW



No.	Part Name	Material	Note
1	Motor	-	Class F
2	Casing	Resin	
3	Casing cover	Resin	
4	Impeller	Resin	
5	Rhombic flange	Resin	
6	Mechanical seal	-	
7	O-Ring	Rubber (NBR)	
8	Packing	Rubber (NR)	

No.	Part Name	Material	Note
9	Bolt	SUS304	
10	Bolt with captive washer	SUS304	
11	Nut	SUS304	
12	Spring washers	SUS304	
13	Plain washers	SUS304	
14	Turbine oil	VG32	
15	Caution label		

PUMP DIMENSION - WITH Q.D.C TYPE LESS THAN 0.75kW



Discharge Bore (mm)	Model	Motor (kW)	Pump					Water Level					Weight (kg)
			PH	DC	TL	W1	W2	U1	U2	U3	U4	U5	
40	WUO4-405-0.15S2-F	0.15	395	320	427	68	138	155	281	-	-	-	5.5
	WUO4-405-0.25S2-F	0.25	395	320	427	68	138	155	281	-	-	-	6.0
	WUO4-405-0.25T4-F	0.25	385	320	427	68	138	155	265	-	-	-	5.1
50	WUO4-505-0.4S2-F	0.4	404	330	452	83	165	155	290	-	-	-	9.2
	WUO4-505-0.4T4-F	0.4	389	330	452	83	165	155	270	-	-	-	8.0
	WUO4-505-0.75S2-F	0.75	409	330	452	83	165	155	290	-	-	-	11.3
	WUO4-505-0.75T4-F	0.75	409	330	452	83	165	155	290	-	-	-	9.5
40	WUO4-405-0.15S2L(LN)-F	0.15	449	320	452	68	138	155	537	155	487	587	5.9/6.0
	WUO4-405-0.25S2L(LN)-F	0.25	449	320	427	68	138	155	537	155	487	587	6.4/6.5
	WUO4-405-0.25T4L(LN)-F	0.25	439	320	427	68	138	155	522	155	471	571	5.5/5.6
50	WUO4-505-0.4S2L(LN)-F	0.4	426	330	452	83	165	155	520	155	470	570	9.6/9.7
	WUO4-505-0.4T4L(LN)-F	0.4	411	330	452	83	165	155	500	155	450	550	8.4/8.5
	WUO4-505-0.75S2L(LN)-F	0.75	450	330	452	83	165	155	520	155	470	570	11.7/11.8
	WUO4-505-0.75T4L(LN)-F	0.75	431	330	452	83	165	155	520	155	470	570	9.9/10

PEDESTAL SUPPORT MOUNT

Bore (mm)	Discharge Connection						
	DH	DT	Base Dimension				
			BI	BL	BM	BP	BW
40	188	22	20	200	110	95	120
	188	22	20	200	110	95	120
	188	22	20	200	110	95	120
50	188	22	20	200	110	95	120
	188	22	20	200	110	95	120
	188	22	20	200	110	95	120

EXPECTED PERFORMANCE CURVE

MODEL : WUO4-505-0.75T4-F

■ PERFORMANCE CURVES

