

WUO(4)-F

KAWAMOTO SUBMERSIBLE PUMP
2 POLES / 50 Hz
SIZE 40 ~ 80 MM



VORTEX IMPELLER



APPLICATIONS AND FEATURES

■ APPLICATIONS

- For drainage of sewage and wastewater, and for drainage of septic tank pump.

■ FEATURES

- Light weight and easy-to-handle submersible sewage pump.
- Stainless steel made frame motor and plastic parts increase operating life.
- Use glass fiber reinforced plastic for the impeller and casing, and equipped with a motor with built-in auto-cut having a large starting torque for stable operation.
- Vortex type and excellent performance to pass foreign objects.
- Can be combined with a plastic pedestal support. (special accessory)
- Starting/stopping water levels are adjustable in L and LN types.

STANDARD SPECIFICATIONS

Description		Model : WUO(4)-F
Applicable Liquid		Waste water, filthy water and other miscellaneous dirty water
Liquid Temperature		0~40 °C
pH		5~9
Main Pump	Casing	Glass fiber reinforced resin
	Impeller	Glass fiber reinforced resin
	Shaft	Stainless Steel (SUS403)
Motor	Speed	3000 rpm
	Protection	IP68, Class F
Construction	Impeller	Vortex type
	Shaft Seal	Double mechanical seal Pump : Sic x Sic Motor : Ceramics x Carbon
	Motor Bearing	Sealed ball bearing
Maximum Submergence		0.15~0.75 kW : 5 m. 1.5~3.7 kW : 8 m.

OPTIONAL SPECIFICATIONS

Description		Model : WUO(4)-F
Applicable Liquid		Waste water, filthy water and other miscellaneous dirty water
Liquid Temperature		0~60 °C
pH		5~9
Main Pump	Casing	Glass fiber reinforced resin
	Impeller	Glass fiber reinforced resin
	Shaft	Stainless Steel (SUS403)
Motor	Speed	3000 rpm
	Protection	IP68, Class F
Construction	Impeller	Vortex type
	Shaft Seal Oil	Double mechanical seal Pump : Sic x Sic Motor : Ceramics x Carbon White oil
	Motor Bearing	Sealed ball bearing
Cable length(m)		10m, 20m, 30m, 40m

SOLID PASSAGE

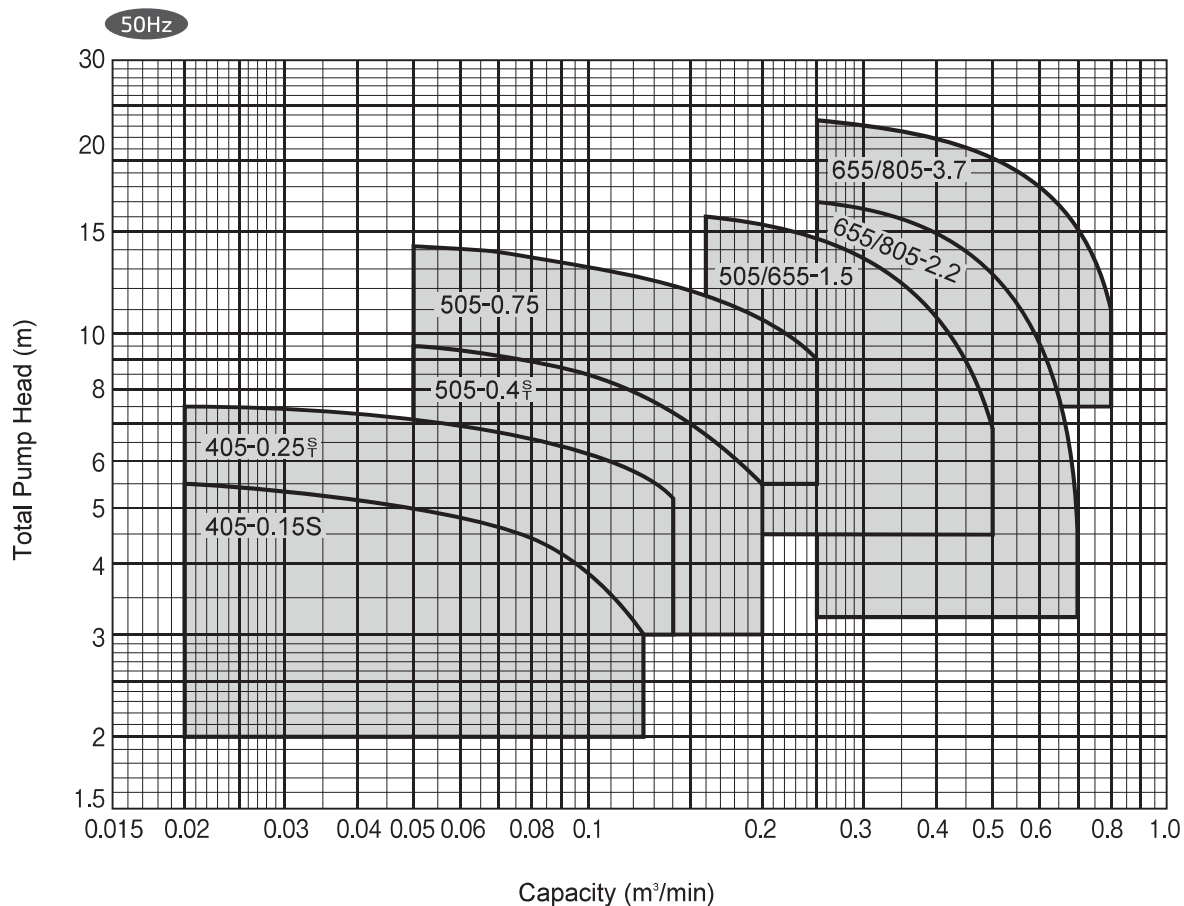
Pump Bore (mm)	Solid diameter (mm)	Clothes
40	35	-
50	35	-
65	40	-
80	40	-

CABLE

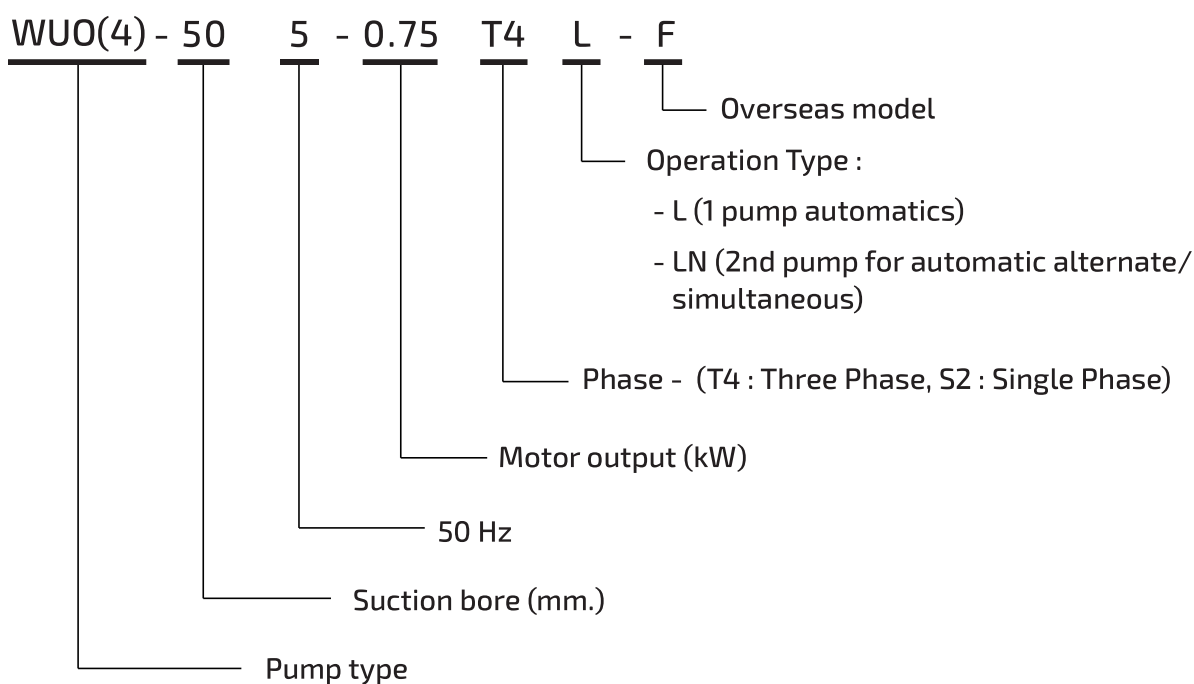
Output (kW)	Phase	Size (mm ²)	Core	Outer diameter (mm)	Length (m)
0.15	1	0.75	3	9.2	6
0.25	1	0.75	3	9.2	6
0.25	3	0.75	4	9.9	6
0.4	1	0.75	3	9.2	6
0.4	3	0.75	4	9.9	6
0.75	3	1.25	4	11	6
1.5	3	1.25	4	11	10
2.2	3	1.25	4	11	10
3.7	3	2	4	11.7	10

Cable Material : 600V insulating (VCT) **2**

PERFORMANCE CHART



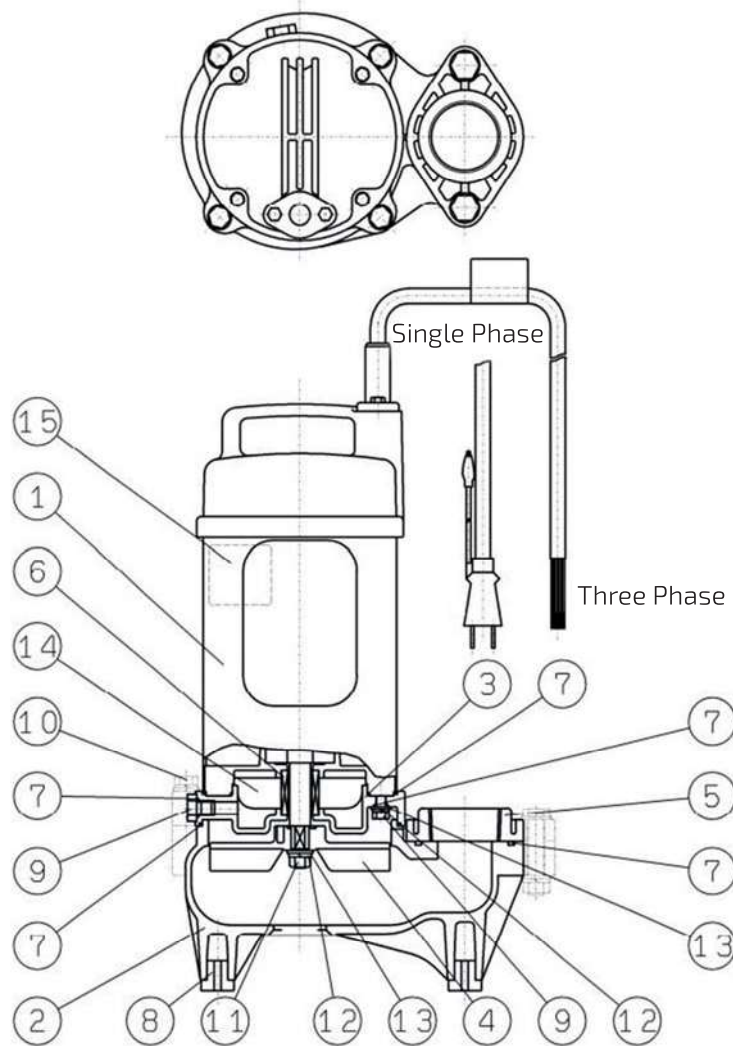
MODEL CODE



SPECIFICATION TABLE - WUO-F

No.	Bore (mm)	Model	Motor (kW)	Performance			
				Capacity (m ³ /min)	Total Head (m)	Capacity (m ³ /min)	Total Head (m)
1	40	WUO4-405-0.15S2-F	0.15	0.02	5.5	0.125	3
2		WUO4-405-0.25S2-F	0.25	0.02	7.5	0.14	5.2
3		WUO4-405-0.25T4-F	0.25	0.02	7.5	0.14	5.2
4	50	WUO4-505-0.4S2-F	0.4	0.05	9.5	0.2	5.5
5		WUO4-505-0.4T4-F	0.4	0.05	9.5	0.2	5.5
6		WUO4-505-0.75S2-F	0.75	0.05	14.2	0.25	9
7		WUO4-505-0.75T4-F	0.75	0.05	14.2	0.25	9
8		WUO-505-1.5T4-F	1.5	0.16	16	0.32	13.2
9	65	WUO-655-1.5T4-F	1.5	0.25	14.5	0.5	6.8
10		WUO-655-2.2T4-F	2.2	0.25	17	0.5	12.8
11		WUO-655-3.7T4-F	3.7	0.25	23.5	0.5	20.2
12	80	WUO-805-2.2T4-F	2.2	0.36	15.5	0.7	4.8
13		WUO-805-3.7T4-F	3.7	0.4	21.5	0.8	11.2
14	40	WUO4-405-0.15S2L(LN)-F	0.15	0.02	5.5	0.125	3
15		WUO4-405-0.25S2L(LN)-F	0.25	0.02	7.5	0.14	5.2
16		WUO4-405-0.25T4L(LN)-F	0.25	0.02	7.5	0.14	5.2
17	50	WUO4-505-0.4S2L(LN)-F	0.4	0.05	9.5	0.2	5.5
18		WUO4-505-0.4T4L(LN)-F	0.4	0.05	9.5	0.2	5.5
19		WUO4-505-0.75S2L(LN)-F	0.75	0.05	14.2	0.25	9
20		WUO4-505-0.75T4L(LN)-F	0.75	0.05	14.2	0.25	9
21		WUO-505-1.5T4L(LN)-F	1.5	0.16	16	0.32	13.2
22	65	WUO-655-1.5T4L(LN)-F	1.5	0.25	14.5	0.5	6.8
23		WUO-655-2.2T4L(LN)-F	2.2	0.25	17	0.5	12.8
24		WUO-655-3.7T4L(LN)-F	3.7	0.25	23.5	0.5	20.2
25	80	WUO-805-2.2T4L(LN)-F	2.2	0.36	15.5	0.7	4.8
26		WUO-805-3.7T4L(LN)-F	3.7	0.4	21.5	0.8	11.2

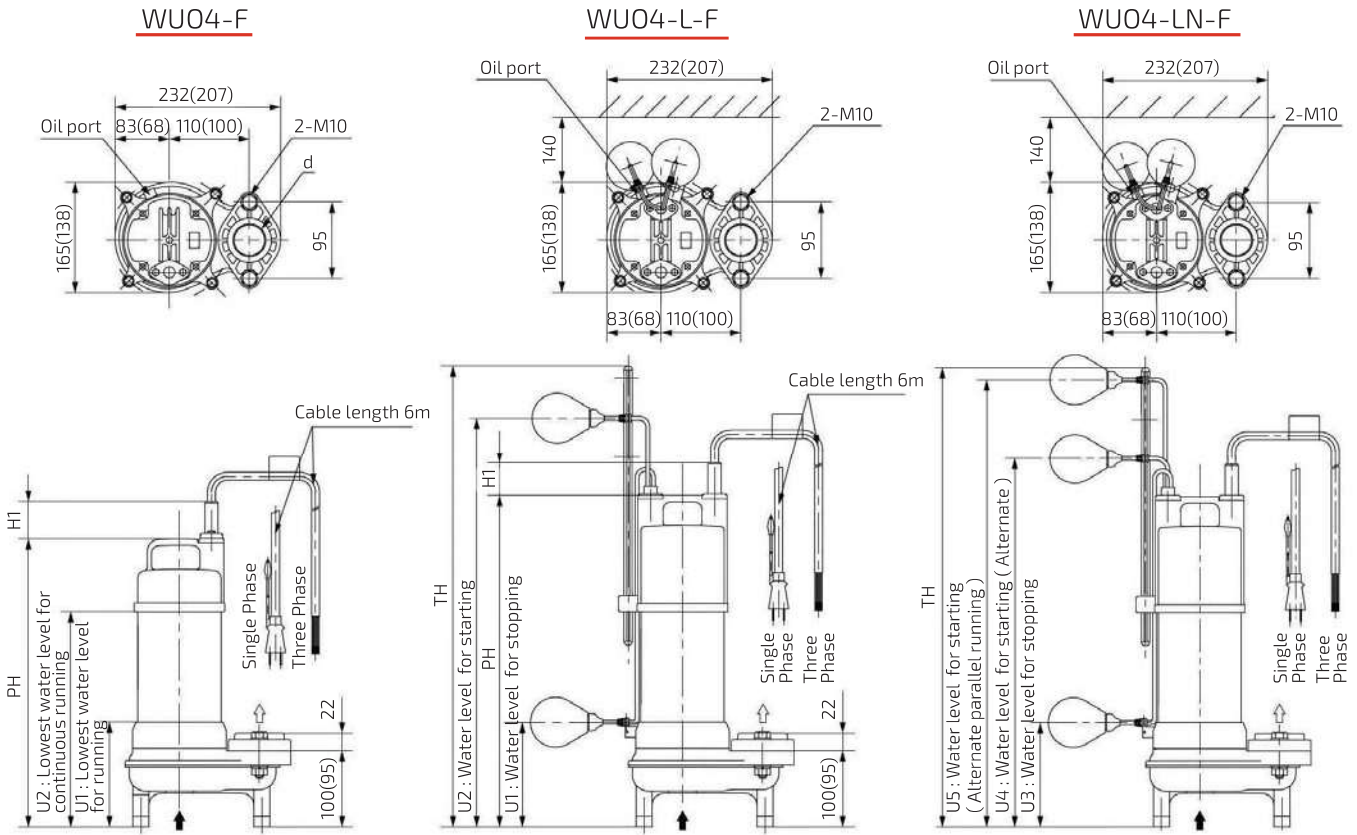
SECTION VIEW - LESS THAN 0.75kW



No.	Part Name	Material	Note
1	Motor	-	Class F
2	Casing	Resin	
3	Casing cover	Resin	
4	Impeller	Resin	
5	Rhombic flange	Resin	
6	Mechanical seal	-	
7	O-Ring	Rubber (NBR)	
8	Packing	Rubber (NR)	

No.	Part Name	Material	Note
9	Bolt	SUS304	
10	Bolt with captive washer	SUS304	
11	Nut	SUS304	
12	Spring washers	SUS304	
13	Plain washers	SUS304	
14	Turbine oil	VG32	
15	Caution label		

PUMP DIMENSION - FLANGE TYPE LESS THAN 0.75kW



(...)when it's less than 0.25kW.

Operation Method	Discharge Bore (mm)	Model	Motor (kW)	Pump			Water Level					Weight (kg)
				PH	H1	TH1	U1	U2	U3	U4	U5	
Non Automatic	40	WUO4-405-0.15S2-F	0.15	360	-	35	130	256	-	-	-	5.5
		WUO4-405-0.25S2-F	0.25	370	-	35	130	256	-	-	-	6.0
		WUO4-405-0.25T4-F	0.25	360	-	35	130	240	-	-	-	5.1
	50	WUO4-505-0.4S2-F	0.4	384	-	35	135	270	-	-	-	9.2
		WUO4-505-0.4T4-F	0.4	369	-	35	135	250	-	-	-	8.0
		WUO4-505-0.75S2-F	0.75	389	-	40	135	270	-	-	-	9.5
Alternate, Alternate /Parallel	40	WUO4-505-0.75T4-F	0.75	389	-	40	135	270	-	-	-	9.5
		WUO4-405-0.15S2L(LN)-F	0.15	414	579	35	130	512	130	462	562	5.9/11.9
		WUO4-405-0.25S2L(LN)-F	0.25	424	579	35	130	512	130	462	562	6.4/12.9
	50	WUO4-405-0.25T4L(LN)-F	0.25	414	564	35	130	496	130	446	546	5.5/11.1
		WUO4-505-0.4S2L(LN)-F	0.4	406	568	35	135	500	135	450	550	9.6/19.3
		WUO4-505-0.4T4L(LN)-F	0.4	391	548	35	135	480	135	430	530	8.4/16.9
		WUO4-505-0.75S2L(LN)-F	0.75	411	568	40	135	500	135	450	550	9.9/19.9
WUO4-505-0.75T4L(LN)-F	0.75	411	568	40	135	500	135	450	550	9.9/19.9		

EXPECTED PERFORMANCE CURVE

MODEL : WUO4-505-0.75T4-F

■ PERFORMANCE CURVES

