

WUO(4)-F

KAWAMOTO SUBMERSIBLE PUMP

2 POLES / 50 Hz

SIZE 40 ~ 80 MM



VORTEX IMPELLER



APPLICATIONS AND FEATURES

■ APPLICATIONS

- For drainage of sewage and wastewater, and for drainage of septic tank pump.

■ FEATURES

- Light weight and easy-to-handle submersible sewage pump.
- Stainless steel made frame motor and plastic parts increase operating life.
- Use glass fiber reinforced plastic for the impeller and casing, and equipped with a motor with built-in auto-cut having a large starting torque for stable operation.
- Vortex type and excellent performance to pass foreign objects.
- Can be combined with a plastic pedestal support. (special accessory)
- Starting/stopping water levels are adjustable in L and LN types.

STANDARD SPECIFICATIONS

Description		Model : WUO(4)-F
Applicable Liquid		Waste water, filthy water and other miscellaneous dirty water
Liquid Temperature		0~40 °C
pH		5~9
Main Pump	Casing	Glass fiber reinforced resin
	Impeller	Glass fiber reinforced resin
	Shaft	Stainless Steel (SUS403)
Motor	Speed	3000 rpm
	Protection	IP68, Class F
Construction	Impeller	Vortex type
	Shaft Seal	Double mechanical seal Pump : Sic x Sic Motor : Ceramics x Carbon
	Motor Bearing	Sealed ball bearing
Maximum Submergence		0.15~0.75 kW : 5 m. 1.5~3.7 kW : 8 m.

OPTIONAL SPECIFICATIONS

Description		Model : WUO(4)-F
Applicable Liquid		Waste water, filthy water and other miscellaneous dirty water
Liquid Temperature		0~60 °C
pH		5~9
Main Pump	Casing	Glass fiber reinforced resin
	Impeller	Glass fiber reinforced resin
	Shaft	Stainless Steel (SUS403)
Motor	Speed	3000 rpm
	Protection	IP68, Class F
Construction	Impeller	Vortex type
	Shaft Seal Oil	Double mechanical seal Pump : Sic x Sic Motor : Ceramics x Carbon White oil
	Motor Bearing	Sealed ball bearing
Cable length(m)		10m, 20m, 30m, 40m

SOLID PASSAGE

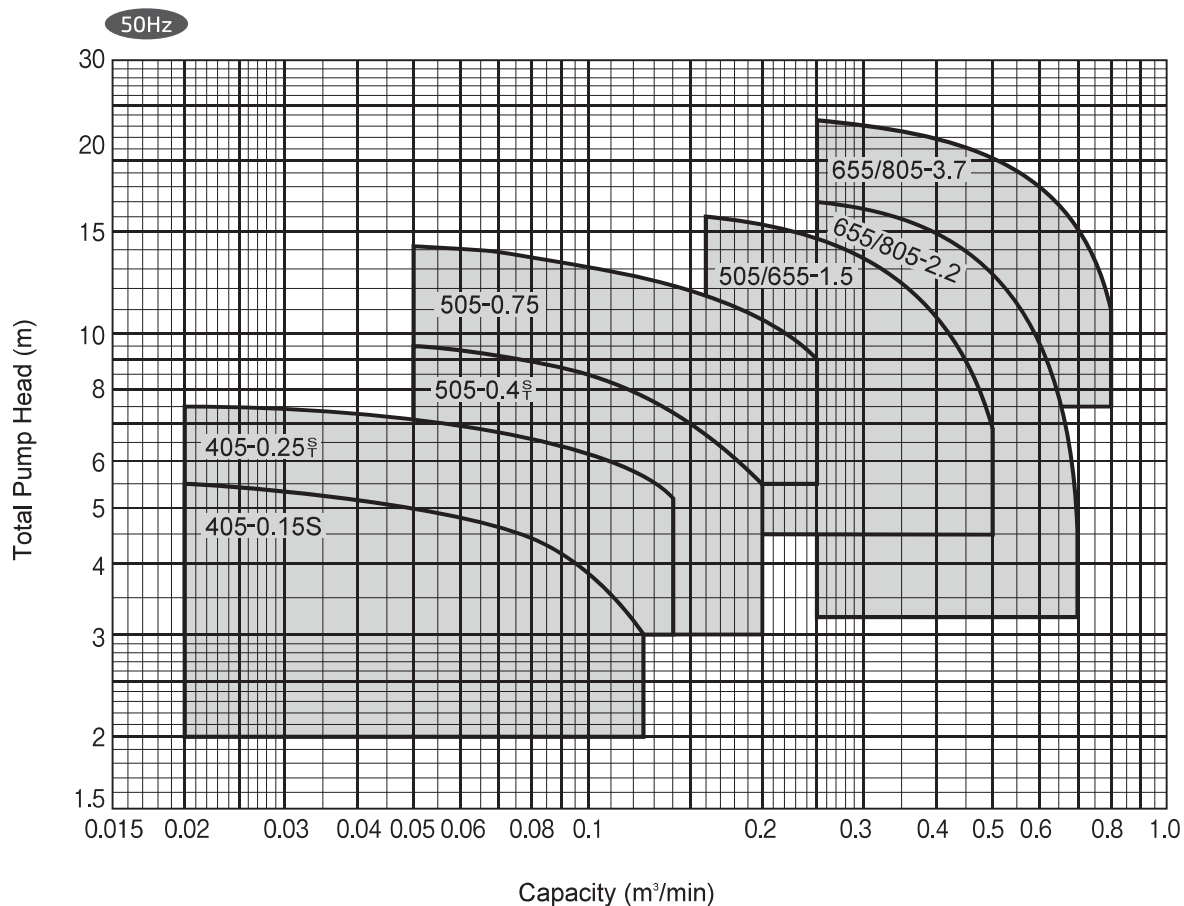
Pump Bore (mm)	Solid diameter (mm)	Clothes
40	35	-
50	35	-
65	40	-
80	40	-

CABLE

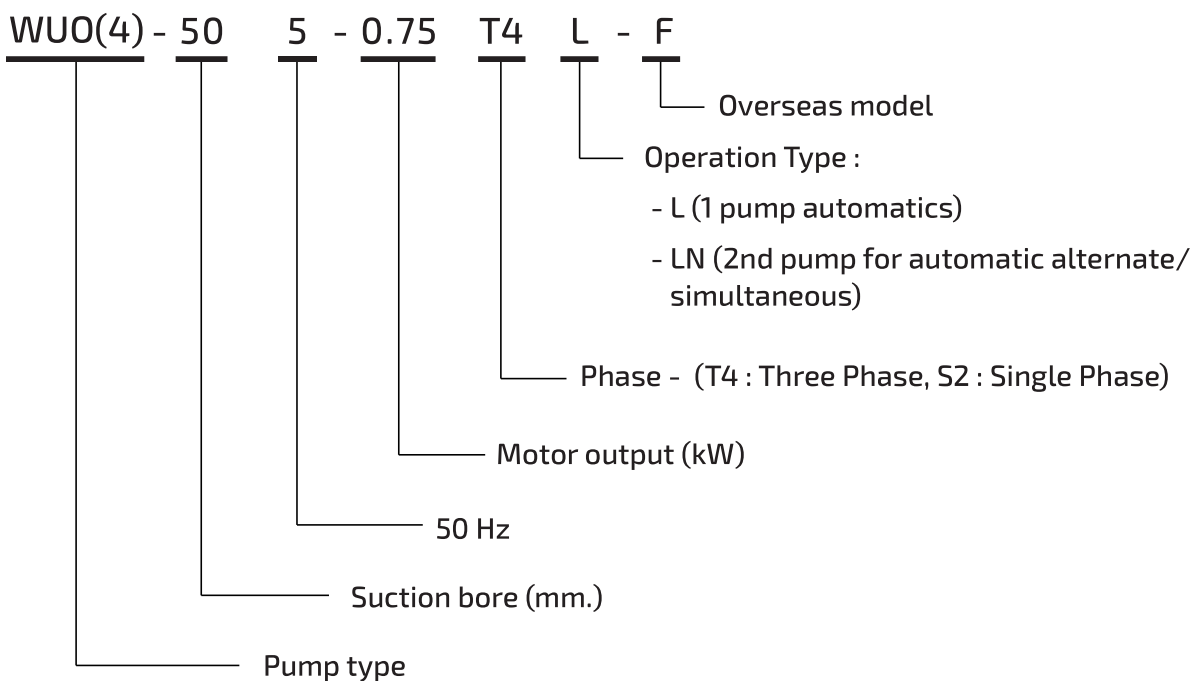
Output (kW)	Phase	Size (mm ²)	Core	Outer diameter (mm)	Length (m)
0.15	1	0.75	3	9.2	6
0.25	1	0.75	3	9.2	6
0.25	3	0.75	4	9.9	6
0.4	1	0.75	3	9.2	6
0.4	3	0.75	4	9.9	6
0.75	3	1.25	4	11	6
1.5	3	1.25	4	11	10
2.2	3	1.25	4	11	10
3.7	3	2	4	11.7	10

Cable Material : 600V insulating (VCT)

PERFORMANCE CHART



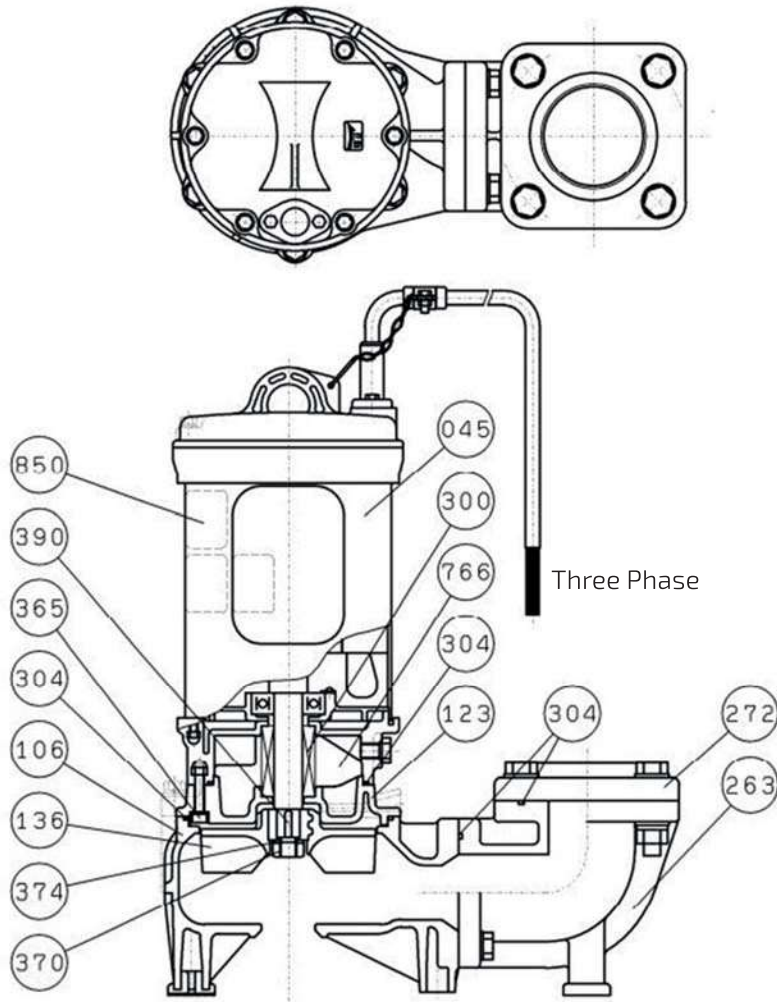
MODEL CODE



SPECIFICATION TABLE - WUO-F

No.	Bore (mm)	Model	Motor (kW)	Performance			
				Capacity (m ³ /min)	Total Head (m)	Capacity (m ³ /min)	Total Head (m)
1	40	WUO4-405-0.15S2-F	0.15	0.02	5.5	0.125	3
2		WUO4-405-0.25S2-F	0.25	0.02	7.5	0.14	5.2
3		WUO4-405-0.25T4-F	0.25	0.02	7.5	0.14	5.2
4	50	WUO4-505-0.4S2-F	0.4	0.05	9.5	0.2	5.5
5		WUO4-505-0.4T4-F	0.4	0.05	9.5	0.2	5.5
6		WUO4-505-0.75S2-F	0.75	0.05	14.2	0.25	9
7		WUO4-505-0.75T4-F	0.75	0.05	14.2	0.25	9
8		WUO-505-1.5T4-F	1.5	0.16	16	0.32	13.2
9	65	WUO-655-1.5T4-F	1.5	0.25	14.5	0.5	6.8
10		WUO-655-2.2T4-F	2.2	0.25	17	0.5	12.8
11		WUO-655-3.7T4-F	3.7	0.25	23.5	0.5	20.2
12	80	WUO-805-2.2T4-F	2.2	0.36	15.5	0.7	4.8
13		WUO-805-3.7T4-F	3.7	0.4	21.5	0.8	11.2
14	40	WUO4-405-0.15S2L(LN)-F	0.15	0.02	5.5	0.125	3
15		WUO4-405-0.25S2L(LN)-F	0.25	0.02	7.5	0.14	5.2
16		WUO4-405-0.25T4L(LN)-F	0.25	0.02	7.5	0.14	5.2
17	50	WUO4-505-0.4S2L(LN)-F	0.4	0.05	9.5	0.2	5.5
18		WUO4-505-0.4T4L(LN)-F	0.4	0.05	9.5	0.2	5.5
19		WUO4-505-0.75S2L(LN)-F	0.75	0.05	14.2	0.25	9
20		WUO4-505-0.75T4L(LN)-F	0.75	0.05	14.2	0.25	9
21		WUO-505-1.5T4L(LN)-F	1.5	0.16	16	0.32	13.2
22	65	WUO-655-1.5T4L(LN)-F	1.5	0.25	14.5	0.5	6.8
23		WUO-655-2.2T4L(LN)-F	2.2	0.25	17	0.5	12.8
24		WUO-655-3.7T4L(LN)-F	3.7	0.25	23.5	0.5	20.2
25	80	WUO-805-2.2T4L(LN)-F	2.2	0.36	15.5	0.7	4.8
26		WUO-805-3.7T4L(LN)-F	3.7	0.4	21.5	0.8	11.2

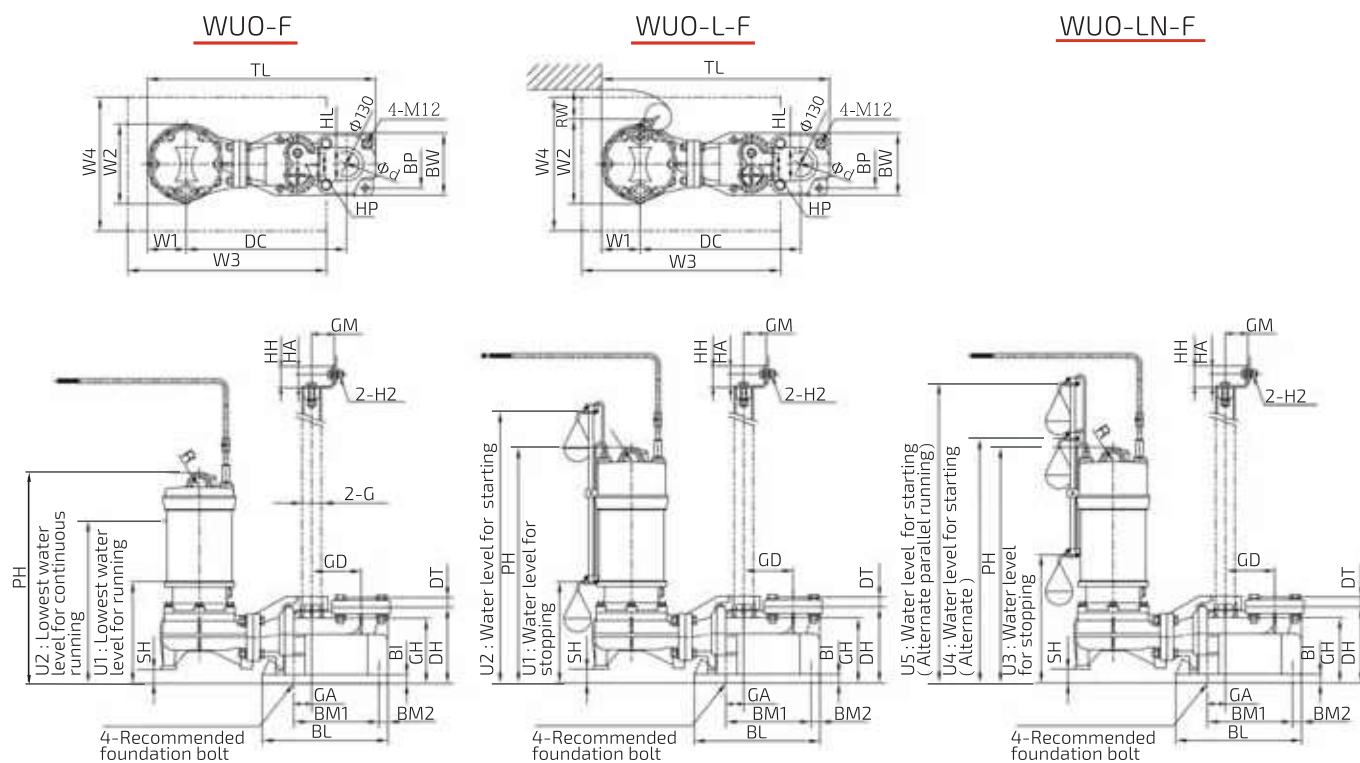
SECTION VIEW - MORE THAN 1.5kW



No.	Part Name	Material	Note
45	Motor	-	Class F
106	Casing	Resin	
123	Casing cover	Resin	
136	Impeller	Resin	
263	Discharge elbow	Resin	
272	Square flange	Resin	
300	Mechanical seal	-	

No.	Part Name	Material	Note
304	O-Ring	Rubber (NBR)	
365	Bolt	SUS304	JIS G 4303
370	Impeller nut	SUS304	JIS G 4303
374	Gear washer	SUS304-CS	JIS G 4303
390	Key	SUS403	JIS G 4303
766	Turbine oil	VG32	
850	Caution label	-	

PUMP DIMENSION - WITH Q.D.C TYPE MORE THAN 1.5kW



Discharge Bore (mm)	Model	Motor (kW)	Pump Combination						Water Level					Other		Weight (kg)
			PH	SH	DC	TL	W1	W2	U1	U2	U3	U4	U5	RW	R	
50	WUO-505-1.5T4-F	1.5	473	31	360	512	87	179	226	360	-	-	-	-	15	14.2
65	WUO-655-1.5T4-F	1.5	473	31	360	512	87	179	226	360	-	-	-	-	15	14.2
	WUO-655-2.2T4-F	2.2	540	26	390	552	97	216	221	426	-	-	-	-	15	18.7
	WUO-655-3.7T4-F	3.7	577	26	390	552	97	216	221	466	-	-	-	-	15	24.5
80	WUO-805-2.2T4-F	2.2	540	26	390	552	97	216	221	426	-	-	-	-	15	18.7
	WUO-805-3.7T4-F	3.7	577	26	390	552	97	216	221	466	-	-	-	-	15	24.5
50	WUO-505-1.5T4(LN)-F	1.5	528	31	360	512	87	191	226	608	286	548	668	140	15	15.0(15.2)
65	WUO-655-1.5T4(LN)-F	1.5	528	31	360	512	87	191	226	608	286	548	668	140	15	15.0(15.2)
	WUO-655-2.2T4(LN)-F	2.2	575	26	390	552	97	216	221	753	281	673	813	140	15	19.5(19.7)
	WUO-655-3.7T4(LN)-F	3.7	612	26	390	552	97	216	221	753	281	673	813	140	15	25.3(25.5)
80	WUO-805-2.2T4(LN)-F	2.2	575	26	390	552	97	216	221	753	281	673	813	140	15	19.5(19.7)
	WUO-805-3.7T4(LN)-F	3.7	612	26	390	552	97	216	221	753	281	673	813	140	15	25.3(25.5)

PEDESTAL SUPPORT MOUNT

Bore (mm)	Discharge Connection								Guide						Hanger						Manhole Cover		Motor (kW)
	DH	DT	Base Dimension						H1	GH	GA	GD	GP	G	HH	HA	GM	HL	HP	H2	W3	W4	
			BI	BL	BM1	BM2	BP	BW															
50	170	22	20	280	190	20	110	140	M12	146	40	110	50	32A	48	30	50	76	50	M10	450	250(300)	-
65	170	26	20	280	190	20	110	140	M12	146	40	110	50	32A	48	30	50	76	50	M10	450	250(300)	1.5
	185	26	25	310	210	25	130	165	M16	161	55	115	60	40A	60	35	60	85	50	M12	500	300(350)	2.2,3.7
80	185	30	25	310	210	25	130	165	M16	161	55	115	60	40A	60	35	60	85	50	M12	500	300(350)	-

EXPECTED PERFORMANCE CURVE

MODEL : WUO-805-3.7T4-F

■ PERFORMANCE CURVES

