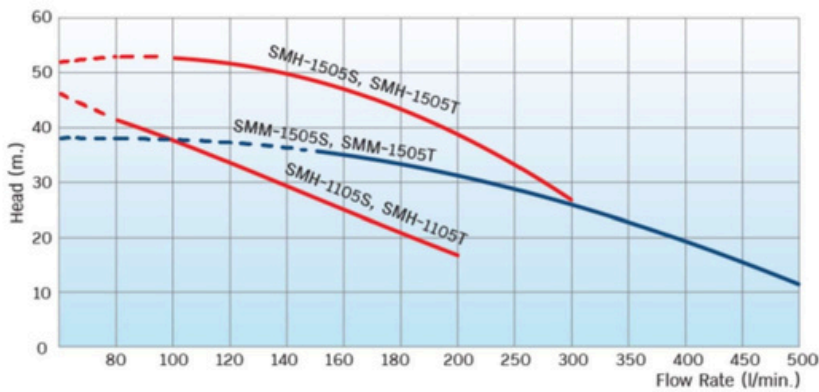




MODEL: SMH, SMM



Hydraulic Performance Curve

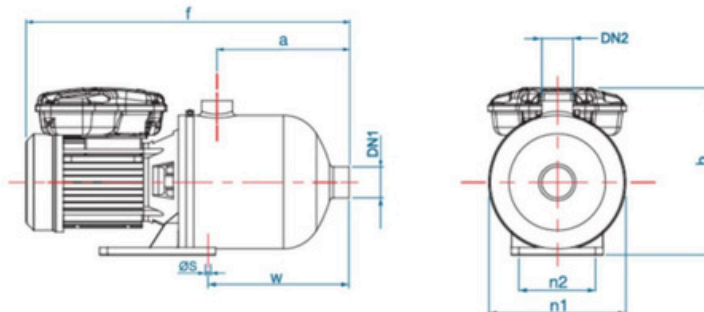


Performance Specifications

MODEL		HP	Max. Current(A)		FLOW RATE	m ³ /hr														
1ø, 220V 50Hz	3ø, 380V 50Hz		1ø, 220V	3ø, 380V		0	4.8	6.0	7.2	8.4	9.0	9.6	10.8	12.0	15.0	18.0	21.0	24.0	27.0	30.0
SMH-1105S	SMH-1105T	1.5	9.7	3.7	0	48.0	39.9	36.9	33.9	30.4	28.3	26.1	20.8	15.4	-	-	-	-	-	-
SMH-1505S	SMH-1505T	2	15.0	5.6	TOTAL HEAD (m.)	54.0	-	51.3	49.9	48.5	47.6	46.6	44.3	41.9	34.3	23.8	-	-	-	-
SMM-1505S	SMM-1505T	2	15.0	5.6		40.0	-	-	-	-	34.7	34.3	33.3	32.3	29.7	26.5	22.7	19.1	15.2	10.5

Above performance data are intended for continuous work with water 20°C temperature and 1 kg/cm³ density, kinematics viscosity 1 mm²/s, atmospheric pressure (100 kPa). Tolerance of the performance curves according to ISO 2548 - class C - ANNEX B.

Dimension



MODEL		BORE SIZE (Inch)		DIMENSIONS (mm.)							WEIGHT (kg.)		NUMBER OF IMPELLER
1ø (Inch)	3ø (Inch)	DN1	DN2	a	f	h	n1	n2	w	s	1ø	3ø	
SMH-1105S	SMH-1105T	1 1/2"	1 1/2"	137	456	237	207	107	187	9	18.0	16.0	3
SMH-1505S	SMH-1505T	1 1/2"	1 1/2"	137	499	267.5	207	107	178	9	23.0	18.4	4
SMM-1505S	SMM-1505T	2"	2"	162	521	267.5	207	107	202	9	23.6	21.0	3